

1035

The combination lock 1035 is part of the 10 Series by Serrature Meroni: a wide range of combination locks that cover all applications, functions, and are **suitable for wooden, metal, glass** furniture.

1035 is the ideal solution for the **installation on metal lockers**.

It is available in plastic (Standard line) and it features a **two points locking system** with latch and cam, an ergonomic handle, a cylinder and a maintenance key for **secret code recovery**.

The 10 Series locks are available lock in **multi-user or single-user options**.

combilocks



APPLICATION AND FUNCTION

1035 is a lock suitable for the installation on **metal lockers**. It is the ideal solution for places where a easy to use and smart closure system is fundamental. It is a keyless lock and can be opened thanks to a 4 digits pre-set secret code. It is available for the thickness of metal furniture.

MATERIAL AND DESIGN

Compact shape and versatility are the main features of 1035 combination lock.

1035 is a secure, easy-to-use lock thanks to a wide **ergonomic handle**, the plastic body and the **two point locking system with latch and cam**.

FINISHES

Available in standard black and white finishes.

MAINTENANCE KEY

The lock kit includes a simple system for the secret code recovery with a maintenance key (or special plastic stick tool in the “private mode”).

MULTI-USER AND SINGLE-USER FUNCTIONS

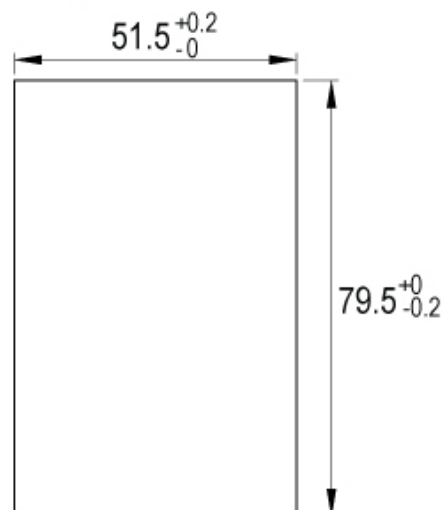
The 1035 combination lock can be set to work both in “**public mode**” and private mode depending on the type of application. The “public mode” is the solution for multi-user environments (i.e. gyms or public places) while the “**personal mode**” is suitable for single-user furniture (i.e. personal lockers).

STANDARD LINE

The combination lock is available in Standard line (plastic body and handle).

HOLE TEMPLATE

The holing dimensions are 51.5mm - 79.5mm.



PERSONAL AND PUBLIC

The 1035 combination lock can be set to work both in public mode and private mode depending on the type of application. The “public mode” is the solution for multi-user environments (i.e. gyms or public places) while the “personal mode” is suitable for single-user furniture (i.e. personal lockers).

FEATURES:

- Integrated handle lock for lockers
- Thickness for metal
- Right and left versions
- Application: metal lockers
- Available in Standard line (plastic cover and handle)
- Ergonomic handle, two pint locking lock
- 4 digits combination wheels, easy to use
- Maintenance key for secret code recovery
- Unique lock with multi-user/single-user selectable options
- 90° closure

THICKNESS:

metal (M)
0,6-1mm

